

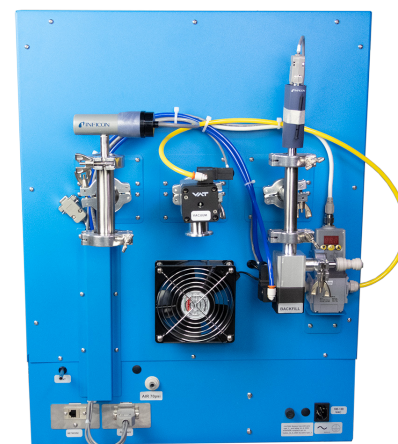
# Vacuum Oven

**TVO-2-VC**

PART ID: CTVV222



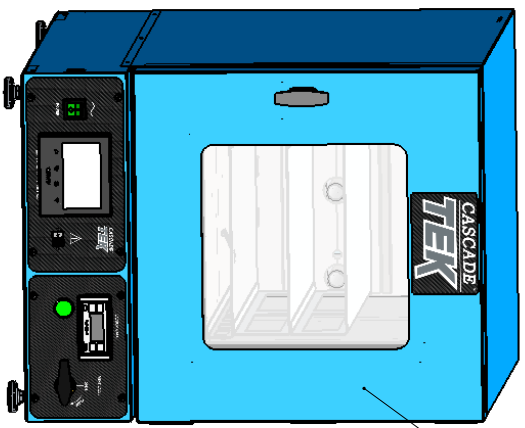
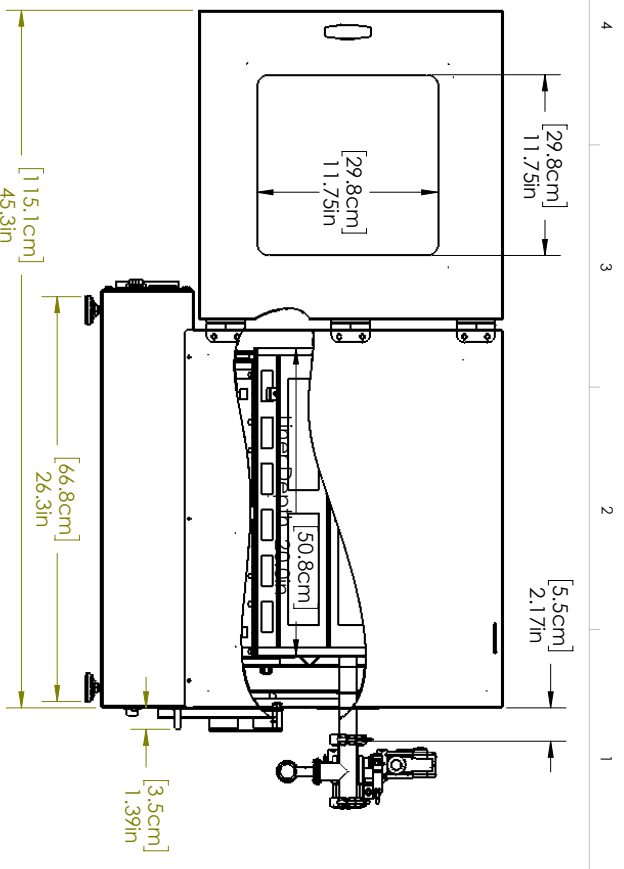
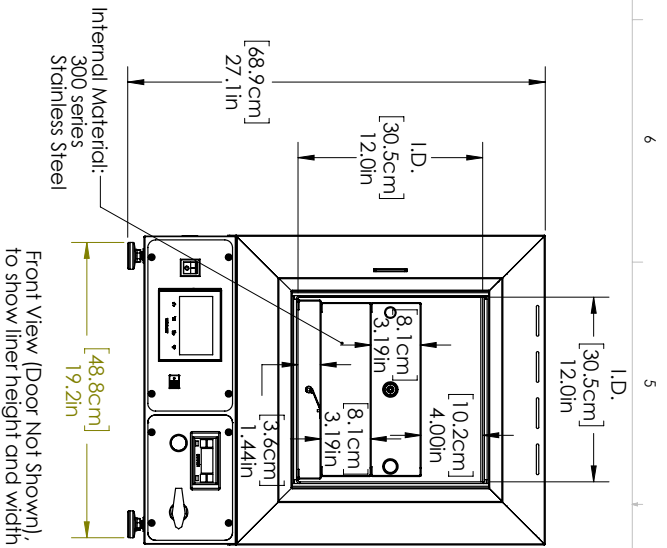
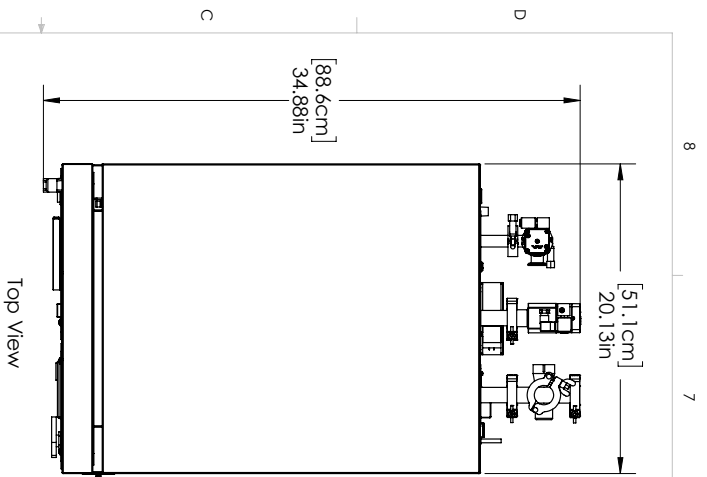
Capacity	1.67 cu.ft. (47.2 liters)
Interior Dimensions W x D x H	12" x 20" x 12" 304 x 508 x 304 mm
Exterior Dimensions W x D x H	20.2" x 34.9" x 2.1" 513 x 887 x 689 mm
Unit Weight	183 lb (83 kg)
Shipping Weight	224 lb (102 kg)
Shelves	3 standard, 3 total
Maximum Weight Per Shelf	35 lb / 15.8 kg
Permitted Total Load	105 lb / 47.6 kg
Standard Door Gasket	Silicone Standard
Access Port	1" vacuum port (KF-25)
Controls	Watlow F4T
Warranty	2 Year Limited Warranty
Interior Construction	300 series stainless steel
Exterior Construction	Painted Cold Roll Steel
Wall Clearance, Each Side	6.0" (152 mm)
Wall Clearance, Rear	12.0" (305 mm)
Vertical Clearance	12.0" (305 mm)
<b>Electrical, 50/60Hz, AC, 1Ø</b>	
Voltage	110V-120V
Full Load Amps	10
Nominal Power (watts @150°C)	662
Plug Supplied	NEMA 5-15P
<b>Energy Consumption (kWh/day)</b>	
At 80°C	12.8
At 150°C	15.4
At 220°C	24.4
<b>Temperature Range 10°C above ambient to 220°C</b>	
Heat-Up Time — Minutes to 80°C	70
Heat-Up Time — Minutes to 150°C	120
Heat-Up Time — Minutes to 220°C	175
Temperature Uniformity	+/- 6% of Set Point
Temperature Stability	+/- 0.2°C @ 150°C
Vacuum Display Range	1100 to 0.1 mTorr
Safety Certifications	UL 61010-1, EN 61010-1, CSA 61010-1, CE



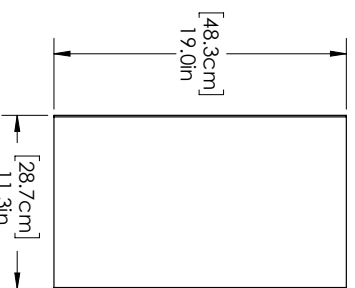
*We reserve the right to alter specifications at any time*

0740594 6/22

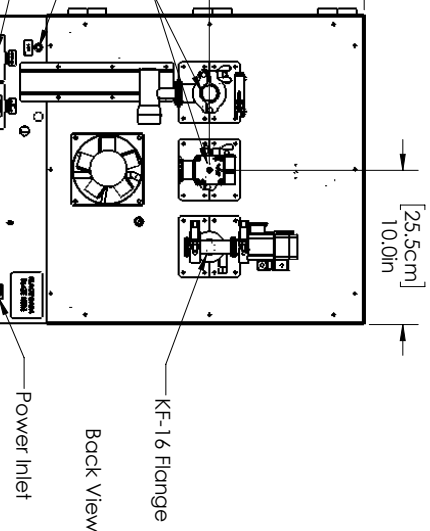
Contact Cascade TEK  
[sales@cascadetek.com](mailto:sales@cascadetek.com) • [cascadetek.com](http://cascadetek.com) • +1-971-371-4096



External Material:  
Cold Rolled Mild Steel  
Powder coated



Vent port:  
1/4" O.D. stainless steel tube



Cascade TEK Solutions, LLC  
300 N 26th Ave  
Cornelius, OR 97113

www.cascadetek.com

NAME	DATE	MODEL:
GRB	9/28/2017	T20-2-VC

SIZE	DWG. NO.	REV
B	9100955	

SCALE: 1:8 WEIGHT: SHEET 1 OF 1

PROPRIETARY AND CONFIDENTIAL  
THE INFORMATION CONTAINED IN THIS SHEET OR AS A WHOLE, WITHOUT THE WRITTEN PERMISSION OF SHERRIN, INC. IS PROHIBITED.