

# Vacuum Oven

SVO-10-VC

PART ID: CTVR1022-H



Capacity	10.60 cu.ft. (300 liters)
Interior Dimensions (W x D x H)	28.8" x 26" x 24.5" 730 x 660 x 622 mm
Exterior Dimensions (W x D x H)	38.7" x 46.8" x 70.3" 983 x 1189 x 1787 mm
Shipping Weight	1679 lb (762 kg)
Shelves	3 standard, 7 maximum
Standard Door Gasket	Viton Standard
Access Port	1" vacuum port (KF25)
Controls	Watlow F4T
Warranty	2 Year Limited Warranty
Interior Construction	300 series stainless steel
Exterior Construction	20 gauge steel, powder coated
Wall Clearance, Each Side	6.0" (152 mm)
Wall Clearance, Rear	12.0" (305 mm)
Vertical Clearance	12.0" (305 mm)
<b>Electrical, 50/60Hz, AC, 1Ø</b>	
Voltage	220V-240V
Full Load Amps	30
Nominal Power (watts @150°C)	-
Direct Hardwire	✓
<b>Energy Consumption (kWh/day)</b>	
At 80°C	-
At 150°C	-
At 220°C	-
<b>Temperature Range 10°C above ambient to 220°C</b>	
Heat-Up Time — Minutes to 80°C	-
Heat-Up Time — Minutes to 150°C	350
Heat-Up Time — Minutes to 220°C	-
Operation Vacuum Range	Pump Dependent
Temperature Uniformity	+/- 6% of Set Point
Temperature Stability	+/- 0.2°C @ 150°C
Vacuum Display Range	3.8e-10 Torr
Safety Certifications	UL 61010-1, EN 61010-1, CSA 61010-1, CE



MADE IN  
USA

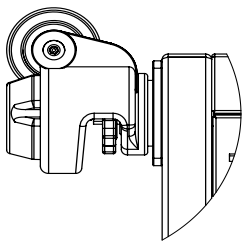


*We reserve the right to alter specifications at any time.*

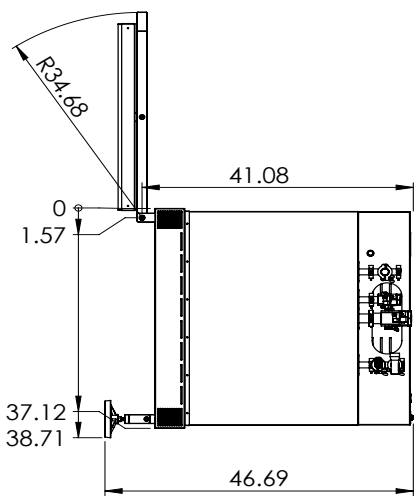
0740617 11/20

Contact Cascade TEK  
sales@cascadetek.com • cascadetek.com • +1-971-371-4096

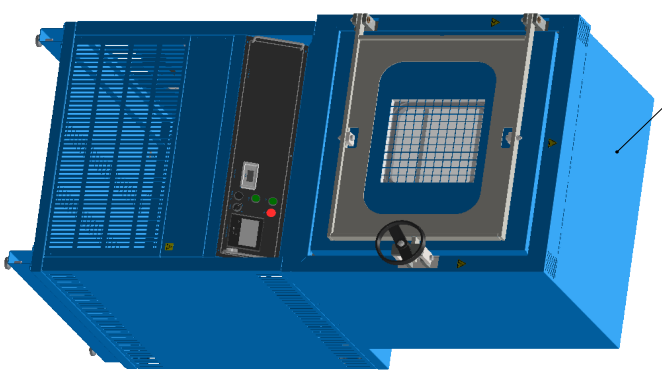
8 7 6 5 4 3 2 1



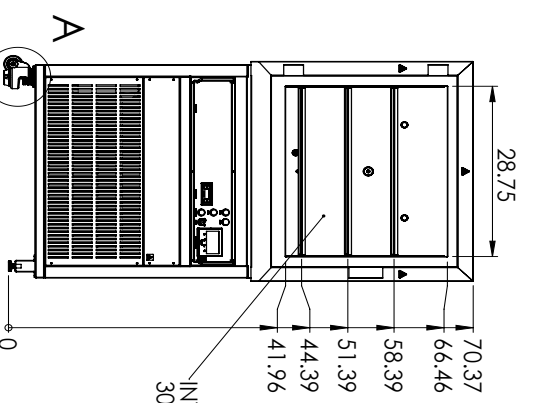
OPTIONAL CASTERS ADD  
0.75 IN TO OVER ALL HEIGHT  
DETAIL A  
SCALE 1 : 4



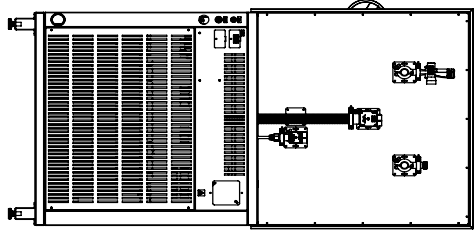
EXTERNAL MATERIAL:  
COLD ROLLED STEEL  
POWDER COATED



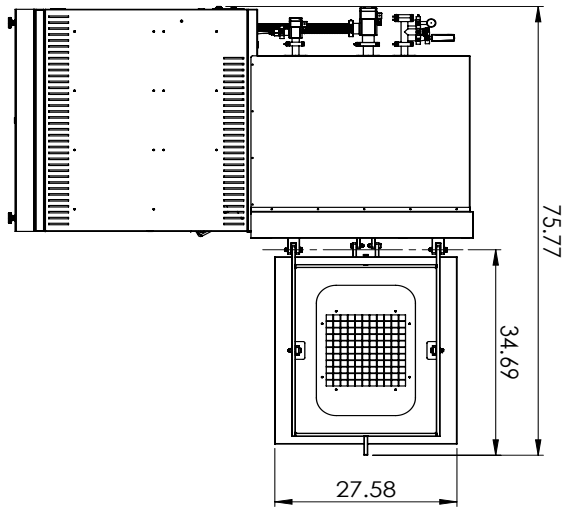
INTERNAL MATERIAL:  
300 SERIES STAINLESS STEEL



Front View (Door Not Shown)



Back View



Side View

A

B

C

D

8 7 6 5 4 3 2 1



Cascade TEK Solutions, LLC  
300 N 26th Ave  
Cornelius, OR 97113

NAME	DATE
DRAWN GT	12/28/2019

MODEL:	SIZE	DWG. NO.	REV
SVO-10-VC	B	9101012	

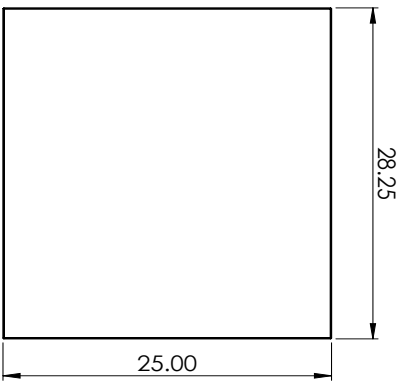
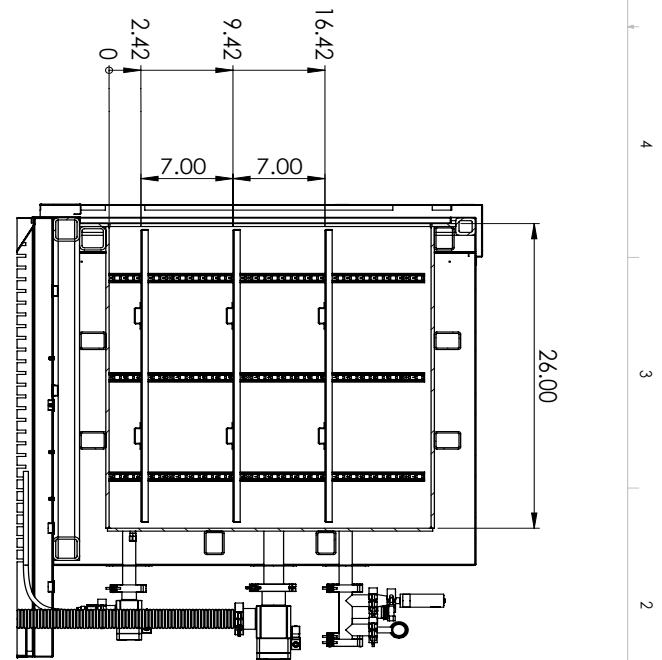
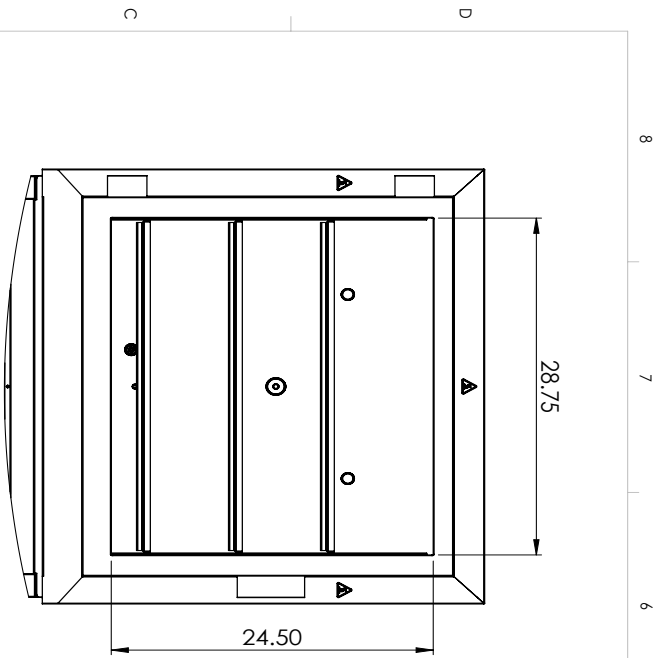
SCALE: 1:20 WEIGHT: SHEET 1 OF 4


A

B

C

D



 Cascade TEK Solutions, LLC 300 N 26th Ave Cornelius, OR 97113		DRAWN	NAME	DATE	MODEL:
		GT	GT	12/18/2019	SVO-10-VC
<small>PROPRIETARY AND CONFIDENTIAL</small> <small>THE INFORMATION CONTAINED IN THIS DRAWING IS THE SOLE PROPERTY OF CASCADE TEK. ANY REPRODUCTION OR TRANSMISSION IN ANY FORM OR BY ANY MEANS WITHOUT PERMISSION OF Sheldon MFG. IS PROHIBITED.</small>					
SCALE: 1:10	SIZE: <b>B</b>	DWG. NO.: 9101012	WEIGHT:	REV	
				SHEET 2 OF 4	