

# Vacuum Oven

**TVO-5-VC**  
PART ID: CTVV522



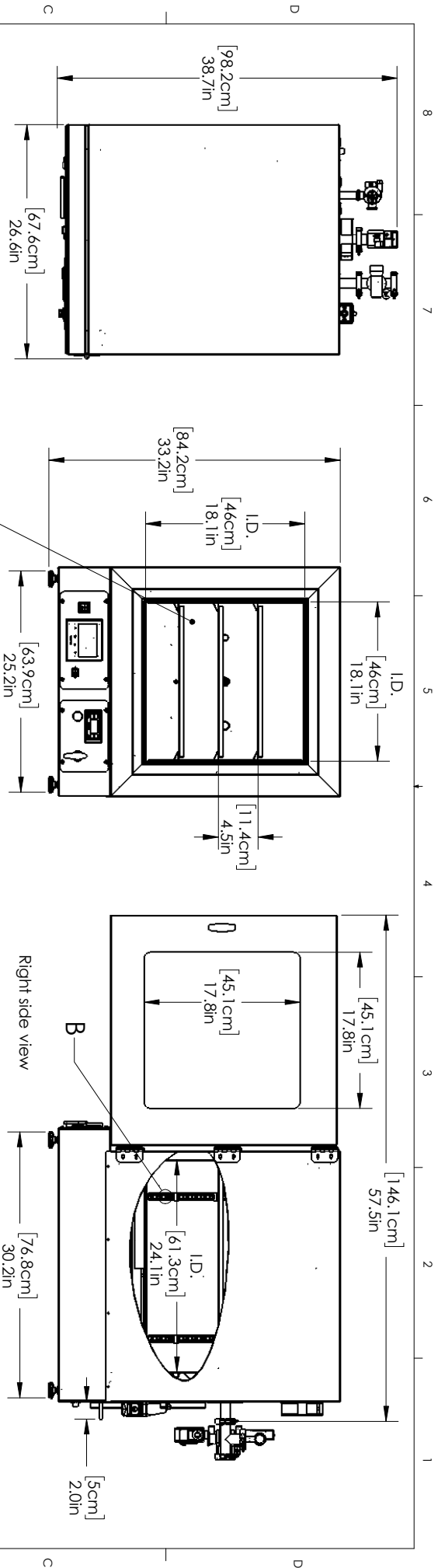
Capacity	4.5 cu.ft. (127.4 liters)
Interior Dimensions (W x D x H)	18.1" x 24.1" x 18.1" 459 x 612 x 459 mm
Exterior Dimensions (W x D x H)	26.6" x 38.7" x 33.2" 676 x 983 x 844 mm
Unit Weight	365 lb (166 kg)
Shipping Weight	460 lb (209 kg)
Shelves	3 standard, 6 total
Maximum Weight Per Shelf	35 lb / 15.8 kg
Permitted Total Load	105 lb / 47.6 kg
Standard Door Gasket	Silicone Standard
Access Port	1" vacuum port (KF-25)
Controls	Watlow F4T
Warranty	2 Year Limited Warranty
Interior Construction	300 series stainless steel
Exterior Construction	Painted Cold Roll Steel
Wall Clearance, Each Side	6.0" (152 mm)
Wall Clearance, Rear	12.0" (305 mm)
Vertical Clearance	12.0" (305 mm)
<b>Electrical, 50/60Hz, AC, 1Ø</b>	
Voltage	110V-120V
Full Load Amps	13
Nominal Power (watts @150°C)	835
Plug Supplied	NEMA 5-15P
<b>Energy Consumption (kWh/day)</b>	
At 80°C	13.2
At 150°C	19.4
At 220°C	30.8
<b>Temperature Range 10°C above ambient to 220°C</b>	
Heat-Up Time — Minutes to 80°C	70
Heat-Up Time — Minutes to 150°C	120
Heat-Up Time — Minutes to 220°C	175
Temperature Uniformity	+/- 6% of Set Point
Temperature Stability	+/- 0.25°C @ 150°C
Operational Vacuum Range	683 to less than 20 mTorr @ 150°C
Vacuum Display Range	1100 to 0.1 mTorr



*We reserve the right to alter specifications at any time.*

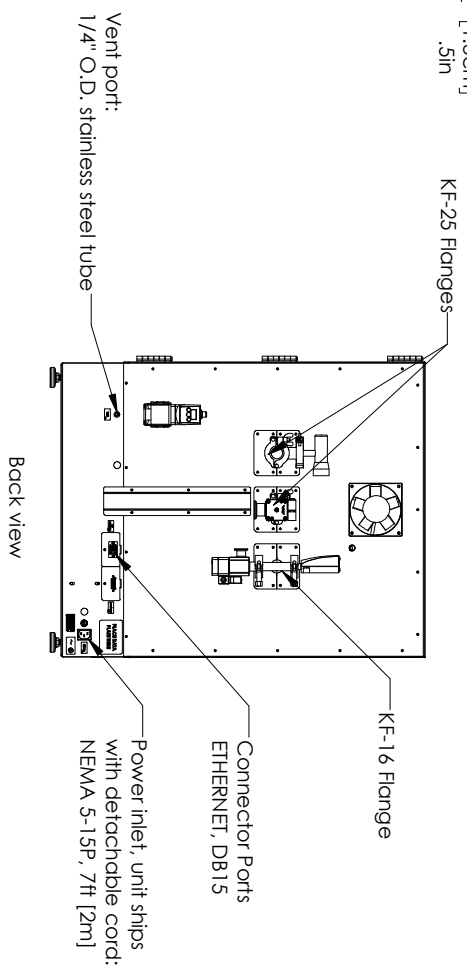
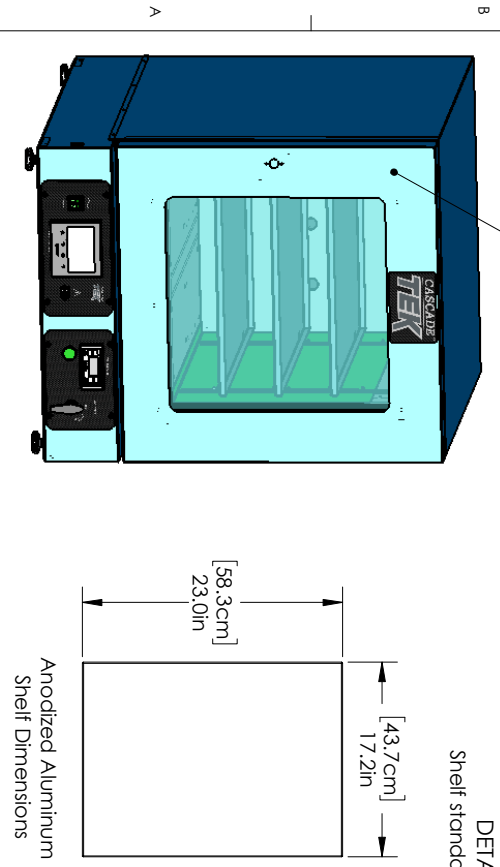
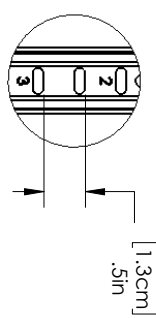
0740596 6/22

Contact Cascade TEK  
sales@cascadetek.com • cascadetek.com • +1-971-371-4096



External material:  
Cold rolled mild steel  
Powder coated

Internal material:  
300 series stainless steel



		Cascade TEK Solutions, LLC 300 N 26th Ave Cornelius, OR 97113 <a href="http://www.cascadetek.com">www.cascadetek.com</a>	
DRAWN	NAME	DATE	MODEL:
GFB		10/24/2017	<b>TWO-5-VC</b>
PROPRIETARY AND CONFIDENTIAL THE INFORMATION CONTAINED IN THIS DRAWING IS THE SOLE PROPERTY OF CASCADE TEK SOLUTIONS, LLC. IT IS TO BE USED FOR THE PART OR AS A WHOLE WITHOUT THE WRITTEN PERMISSION OF Cascade TEK SOLUTIONS, LLC.			SIZE DWG. NO. <b>B</b> 9100943
SCALE: 1:11			REV SHEET 1 OF 1