

Vacuum Oven

TVO-5

PART ID: CTV523

CASCADE™
TEK

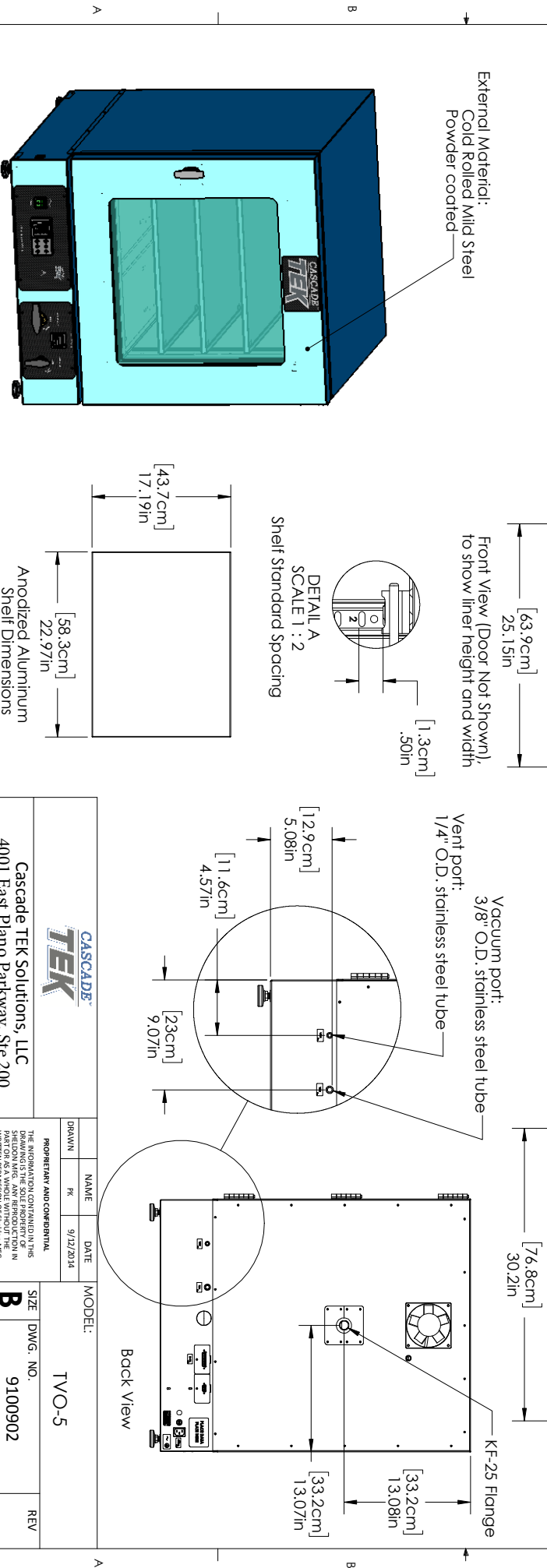
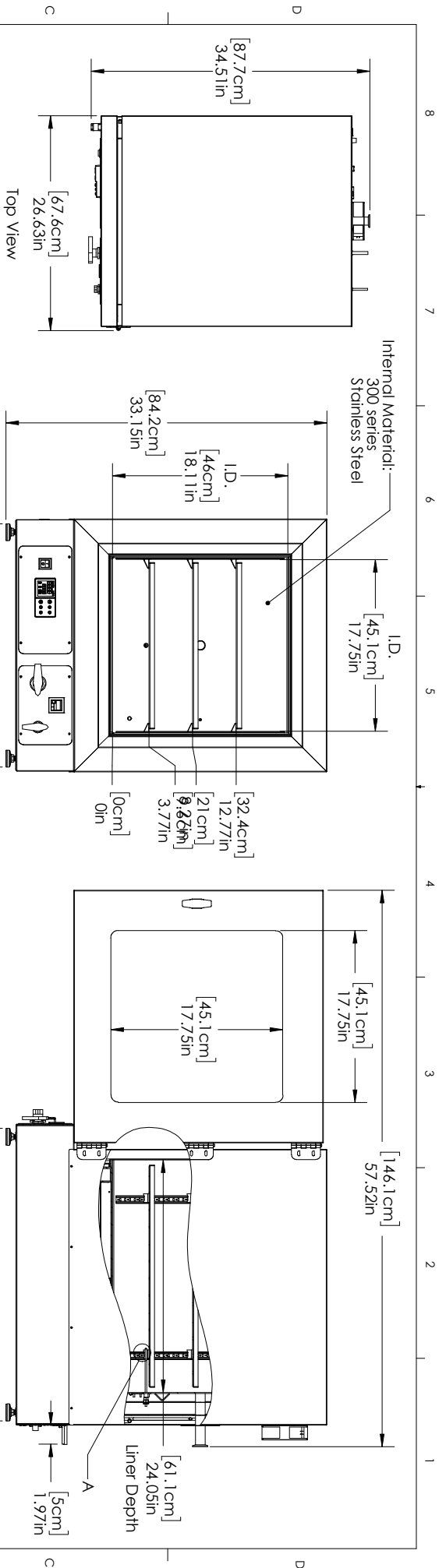
Capacity	4.5 cu.ft. (127.4 liters)
Interior Dimensions (W x D x H)	18.1" x 24.1" x 18.1" 459 x 612 x 459 mm
Exterior Dimensions (W x D x H)	26.7" x 34.5" x 33.2" 679 x 877 x 844 mm
Unit Weight	360 lb (163.3 kg)
Shipping Weight	452 lb (205 kg)
Shelves	3 standard, 6 total
Maximum Weight Per Shelf	35 lb / 15.8 kg
Permitted Total Load	105 lb / 47.6 kg
Standard Door Gasket	Silicone Standard
Access Port	1" vacuum port (KF-25)
Controls	Watlow PM9 Plus
Warranty	2 Year Limited Warranty
Interior Construction	300 series stainless steel
Exterior Construction	Painted Cold Roll Steel
Wall Clearance, Each Side	6.0" (152 mm)
Wall Clearance, Rear	12.0" (305 mm)
Wall Clearance, Top	12.0" (305 mm)
Electrical, 50/60Hz, AC, 1Ø	
Voltage	110V-120V
Full Load Amps	13
Nominal Power (watts @150°C)	835
Plug Supplied	NEMA 5-15P
Energy Consumption (kWh/day)	
At 80°C	13.2
At 150°C	19.4
At 220°C	30.8
Temperature Range 10°C above ambient to 220°C	
Heat-Up Time — Minutes to 80°C	70
Heat-Up Time — Minutes to 150°C	120
Heat-Up Time — Minutes to 220°C	175
Temperature Uniformity	+/- 6% of Set Point
Temperature Stability	+/- 0.25°C @ 150°C
Operational Vacuum Range	-3.0 to -29.9 InHg
Vacuum Display Range	0-29.9 InHg
Safety Certifications	UL 61010-1, EN 61010-1, CSA 61010-1, CE



We reserve the right to alter specifications at any time

0740584 6/24

Contact Cascade TEK
sales@casca detek.com • casca detek.com • +1-971-371-4096



		CASCADE TEK Solutions, LLC 4001 East Plano Parkway, Ste 200 Plano, TX 75074 www.cascadatek.com	
		PROPRIETARY AND CONFIDENTIAL THE INFORMATION CONTAINED IN THIS DRAWING IS THE SOLE PROPERTY OF AN PART OF AS A WHOLE WITHOUT THE WRITTEN PERMISSION OF Sheldon MFG. IS PROHIBITED.	MODEL: TVO-5
DRAWN: _____ RI: _____	NAME: _____ RI: _____	DATE: 9/12/2014	SIZE: B DWG. NO.: 9100902 SCALE: 1:10 WEIGHT: _____
SHEET 1 OF 1		REV: _____	REV: _____