

# Forced Air Oven

## TFO-10

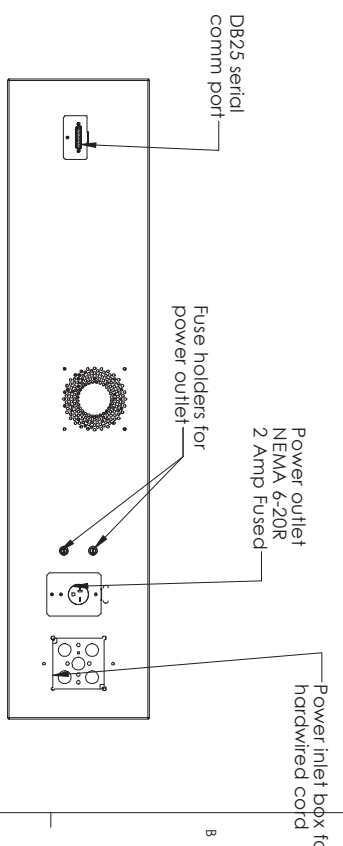
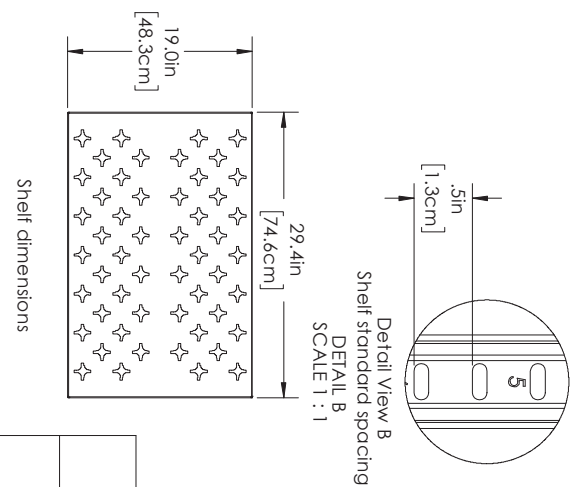
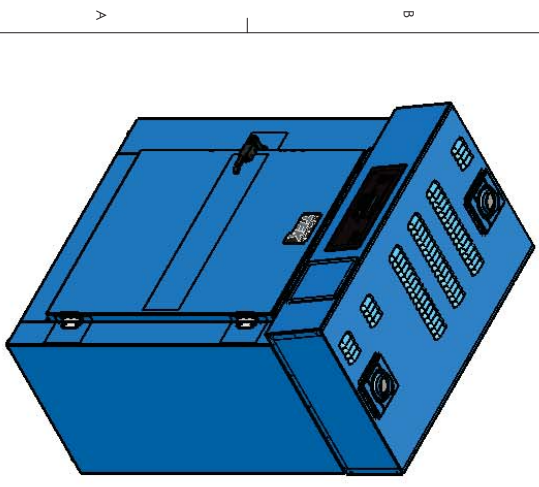
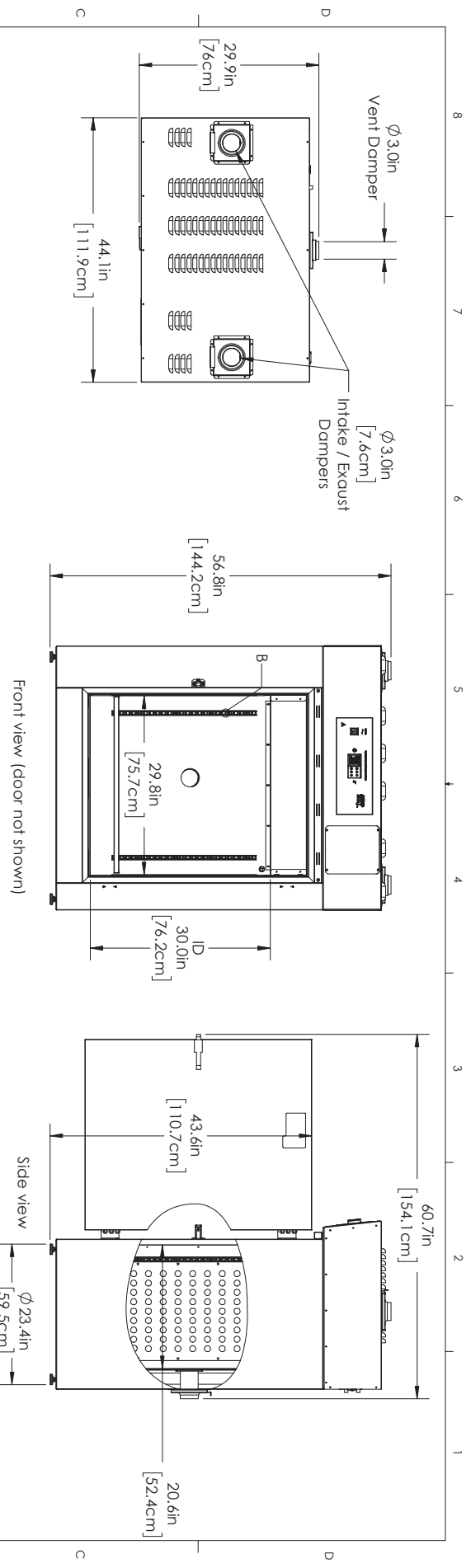
PART ID: CTF1023-H



Capacity	10.6 cu.ft. (301 liters)
Interior Dimensions W x D x H	29.8" x 20.6" x 30.0" 757 x 524 x 762 mm
Exterior Dimensions W x D x H	44.1" x 29.9" x 56.8" 1121 x 760 x 1442 mm
Unit Weight	357 lb (163 kg)
Shipping Weight	450 lb (204 kg)
Shelves	3 standard, 6 total
Maximum Weight Per Shelf	75 lb / 34 kg
Permitted Total Load	225 lb / 102 kg
Standard Door Gasket	Woven Fiberglass
Access Port	2.75" Rear
Controls	Watlow PM9 Plus
Warranty	2 Year Limited Warranty
Interior Construction	300 series stainless steel
Exterior Construction	20 gauge steel, powder coated
Vertical Clearance	24.0" (600 mm)
Wall Clearance, Each Side	6.0" (152 mm)
Wall Clearance, Rear	12.0" (300 mm)
<b>Electrical, 50/60Hz, AC, 1Ø</b>	
Voltage	220V-240V
Full Load Amps	26
Nominal Power (watts @150°C)	2000
Direct Hardwire	✓
<b>Energy Consumption (kWh/day)</b>	
At 80°C	24.1
At 150°C	54.8
At 306°C	123.3
<b>Temperature Range 15°C above ambient to 306°C</b>	
Heat-Up Time — Minutes to 80°C	6
Heat-Up Time — Minutes to 150°C	14
Heat-Up Time — Minutes to 306°C	31
Recovery after Door Opening (30 sec.) — Minutes to 80°C	3
Recovery after Door Opening (30 sec.) — Minutes to 150°C	3
Recovery after Door Opening (30 sec.) — Minutes to 306°C	6
Recovery after Door Opening (60 sec.) — Minutes to 80°C	5
Recovery after Door Opening (60 sec.) — Minutes to 150°C	6
Recovery after Door Opening (60 sec.) — Minutes to 306°C	10
<b>Temperature Uniformity</b>	
At 80°C	1.5
At 150°C	2.5
At 306°C	5.5
<b>Air Flow Performance</b>	
Air Changes Per Hr at Max	120.0
Flow Rate (CFM)	16.9



0740579 6/24



		300 N 26th Ave Cornelius, OR 97113	
PROPRIETARY AND CONFIDENTIAL THE INFORMATION CONTAINED IN THIS DRAWING IS THE PROPERTY OF CASCADE TEK. NO PART OF THIS DRAWING IS TO BE REPRODUCED OR TRANSMITTED IN ANY FORM OR BY ANY MEANS, ELECTRONIC OR MECHANICAL, INCLUDING PHOTOCOPYING, RECORDING, OR BY ANY INFORMATION STORAGE AND RETRIEVAL SYSTEM, WITHOUT PERMISSION IN WRITING FROM CASCADE TEK.	DRAWN: 7/9/08 NAME: [blank] DATE: 7/9/08	MODEL: [blank]	SIZE: DWG. NO. 9071466 SCALE: 1:48 WEIGHT: [blank]
SHEET 1 OF 1			REV: [blank]